

passing between rollers, one of which moves slower than the other, so that a rubbing action is obtained.

The machine was introduced into England by the Huguenots about 1685, on the revocation of the Edict of Nantes. This edict was granted to the Protestants of France by Henry IV., April 13, 1598, and revoked by Louis XIV., October 22, 1685. They scattered to England, to Charleston, S. C., and other places, taking their industry and their skill with them.

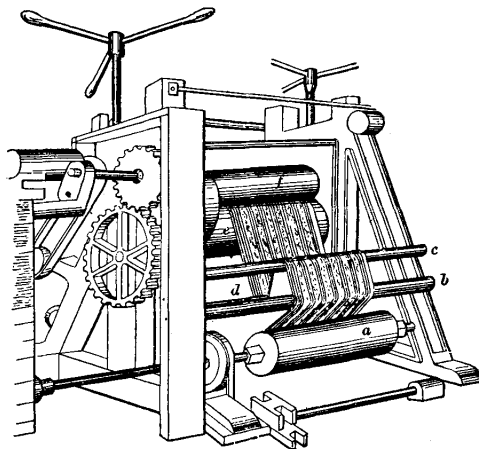
The fabric is first damped by passing it slowly over the *damping* or *degging machine*, containing a circular brush, the points of which, as they rapidly revolve, just touch the surface of the water and dash a cloud of fine spray against the cloth, by which it is uniformly damped. It is then ready for calendering.

By means of a weighted lever, or by screws on top of the calendering-machine, any required amount of pressure may be applied to the fabric; a very great pressure, by flattening the threads, gives a smooth and silky surface. By passing two folds between the rollers at the same time, the threads of each mutually produce a meshed appearance on the other. A watered surface is produced by passing the goods in a very damp state through plain or indented rollers; sometimes a slight lateral motion is given it.

The rollers are heated, when required, by inserting a red-hot cylinder into them.

Cal'en-der'ing-ma-chine'. Though the business of the calenderer includes all the finishing pro-

Fig. 1026.



Calendering-Machine.

cesses by which bleached or dyed cotton and linen goods are stretched, starched, glossed, and pressed, yet the *calendering-machine* proper is a machine between whose loaded rollers the cloth is passed to give it the finish and luster desired.

Cloth which was formerly calendered by burnishing with a smooth flint-stone, is now glazed by