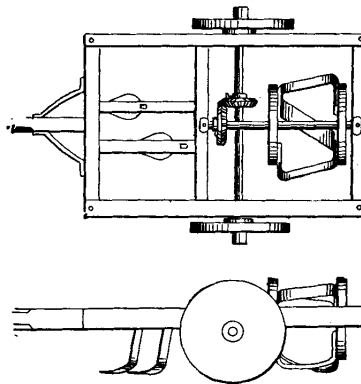


Cot'ton-chop'per. An implement which is drawn over a drilled row of cotton-plants, and chops

Fig. 1483.



Cotton-Chopper.

gaps in the row so as to leave the plants in bunches or hills. The machine is supported on two wheels, and has a plow to run on each side of the row. Motion is communicated from the rotary axle by bevel-wheels to a revolving head having oblique cutters, which chop gaps in the row of plants as the machine progresses.