

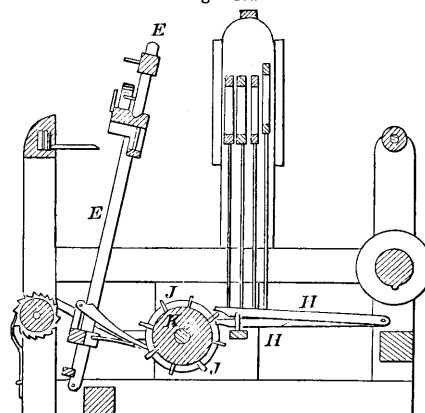
Harness.

2. (*Loom.*) The apparatus in a loom by which the sets of warp-threads are shifted alternately to form the *shed*. Each set of the warp-threads lies in the loops of knotted cords stretched in vertically reciprocating frames called *heddles*, or *healds*. These are moved by cords or straps connected to rods or levers, to which the appropriate recurrent motion is imparted. See *LOOM*.

The harness of a loom is termed the *mounting*; and the whole apparatus concerned in the motions of the warp-threads is the *shedding*.

The illustration shows a form of hand-loom in which the motion of the lathe *E* is the means of

Fig. 2402.



Harness-Motion.

working the harness in the order required by the twill, check, or pattern. As the lathe *E* is moved toward the treadles *H*, the lever pushes the pin *J*, with which it may be in contact, and revolves the drum *K*, operating the treadles *H*. As the lathe moves forward, the spring raises the lever into position to take hold of the next pin and again revolve the drum at the next backward movement.