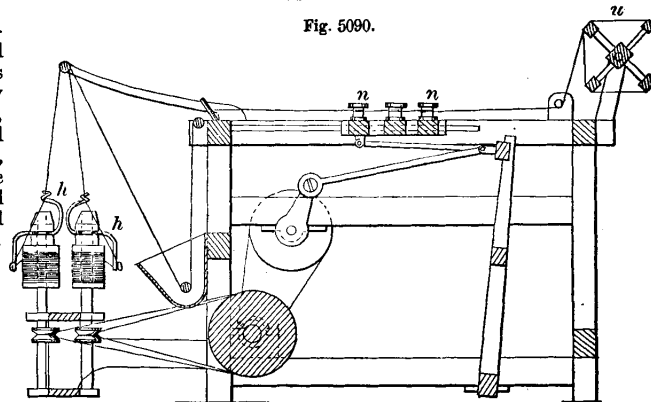


Silk Twist'ing and Reel'ing. In the apparatus (Fig. 5090), the silk previously wound upon spools is twisted by the flyers *h h*, then macerated in a trough, coiled upon the rollers *n n*, and finally wound upon the reel *u*.

Fig. 5090.



Silk Twisting and Reeling.