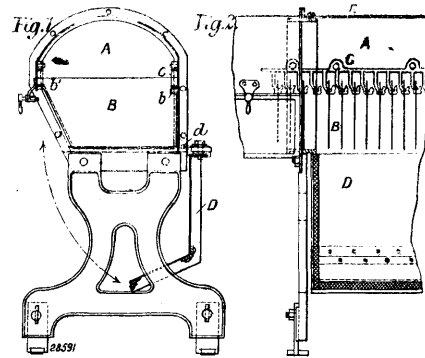


## TEXTILE MACHINERY.

28,591. S. H. Brooks and W. Frost, Manchester. Apparatus for Opening, Scutching, and Separating Dirt from Cotton Fibres. [10 Figs.] December 14, 1896.

This invention relates in the first place to the pneumatic dust trunks or tubes through which the cotton is carried to the opening machine from the mixing-room to render them more efficient and more easily cleaned; and, secondly, to the perforated drums or cages used in opening and scutching machines to prevent air escaping around the edges thereof. In the pneumatic tube or trunk A are formed the grids which catch or separate the dust of a number of loose removable division-plates or partitions B that can be readily moved to allow of the removal of any dirt or fibre that may have accumulated between them or in the tube. To each side of the trunk A are affixed brackets C by bolts c by which the division-plates B are held preferably suspended in position. The plates B are preferably made of the contour shown



with a notch *b* cut at one side, and a projection *b*<sup>1</sup> at the other to rest upon the supporting brackets C, thus suspending the plates as in a pivot from a point a little below the top edge. This will allow of the bottom edges being moved to and fro or of a single plate being removed. The division-plates may be otherwise supported, each loosely and separately in any convenient manner. The bottom and one side of the trunk A are made or joined together to form a "lid" D of angular shape (as shown in Fig. 2) or curved. This "lid" is hinged at the back of the trunk on a pin *d* and opens clear of the division-plates. When the lid D is opened the bottom and one side of the partition-plates B are exposed, which allows the loose dirt to fall away, and renders the plates easily accessible both in front and beneath for the removal of any dust adhering thereto. The lid may be hinged in the centre to open straight if desired. The top E may also be hinged so as to give access to the top of the grid when desired. (Accepted November 10, 1897.)