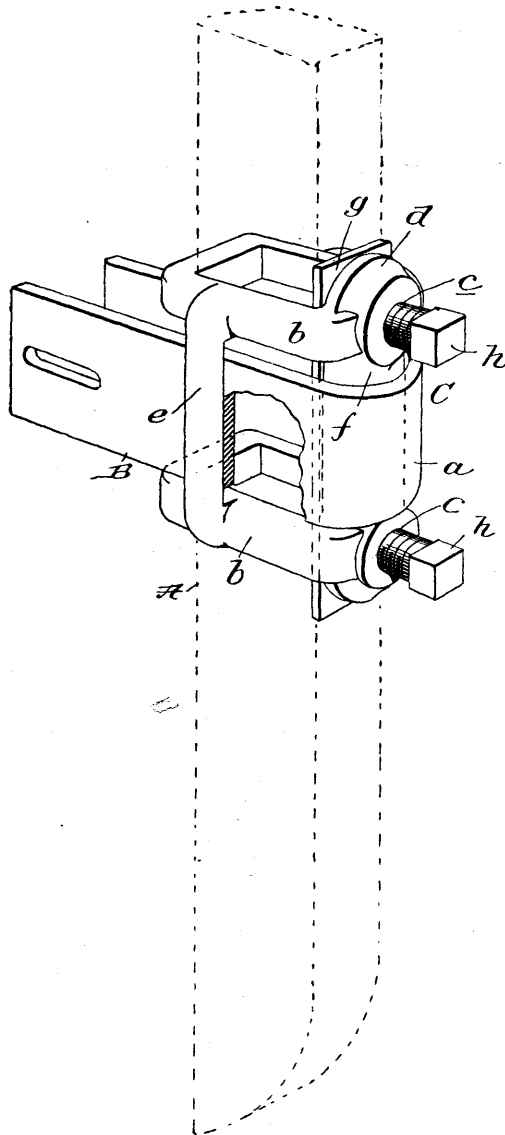


Recent Textile Patents.

BLEACHING. APPARATUS FOR. 741,188. Freidrich C. Theis, Ohligs, Germany.
 CARD CUTTING MACHINE. Jacquard. 740,-694. Vernon Royle, Paterson, N. J.
 CLOTH GOVERNING APPARATUS for Guiding and Straightening Woven Fabrics. 739,968. Abraham Wood and Edward Nightingale, Ramsbottom, England.
 COMBING MACHINE. CIRCULAR. 741,088. John H. Whitehead, Apperley Bridge, and ALLOOM PICKER Stick Connection. 729,797. Eugene Rivet, Woonsocket, R. I., assignor to Isaac B. Merriman, Providence, R. I.

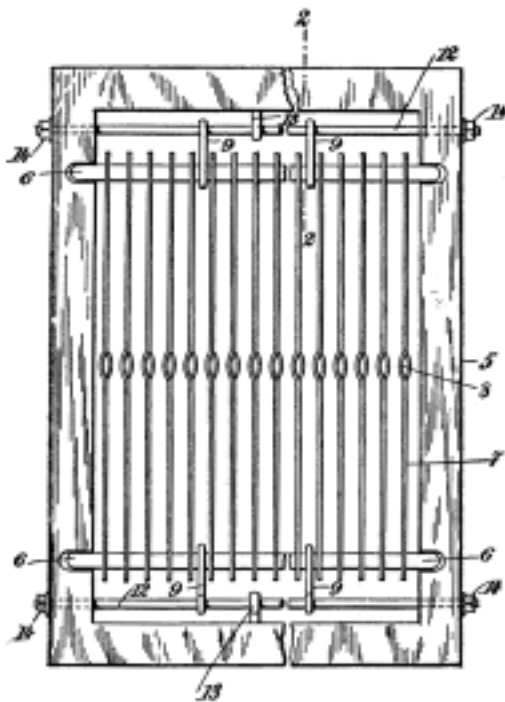


This invention relates to devices for connecting lug-straps to the picker-staffs of looms. In this instance the connecting device is made up of a body formed of one piece of metal and comprising end loops b, having screw-tapped apertures c in

their outer cross-bars d, longitudinal bars e, connecting the side bars of the end loops, and a longitudinal bar f, connecting the outer cross-bars d of said end loops and round or convex at its outer side, a metallic shoe g, adapted to be interposed between the cross-bars d and longitudinal bar f of the body and the outer edge of the picker-staff, and screws h bearing in the apertures c of the body and adapted to press at their inner ends against the shoe g.

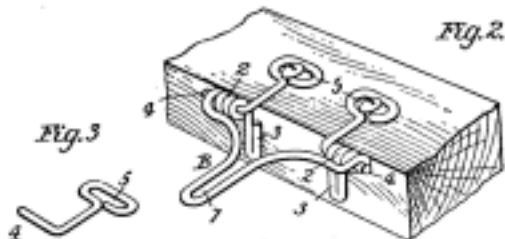
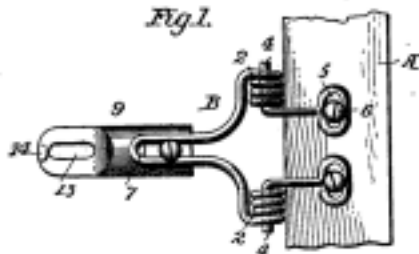
COTTON PRESS. OSCILLATING. 741,085. Samuel J. Webb, Minden, La.
 FABRICS. MACHINE FOR SHAKING Out and Opening Textile. 741,750. David Welsh, Saxonville, Mass.
 LOOM. SWIVEL. 740,717. Joseph Wadsworth, Paterson, N. J.
 SELF-CENTERING SPINDLE. 740,354. Samuel F. Carpenter, Pawtucket, R. I.
 HEDDLE BARS or SUPPORTS. Clamping Device for. 742,120. Humphreys W. Jordan, Pelzer, S. C., assignor to Draper Co., Hopedale, Mass.
 LOOM DOBBY. 741,225. John A. Clark, Worcester, Mass., assignor to Crompton & Knowles Loom Works, Worcester, Mass.
 LOOM. FILLING, REPLENISHING. 741,700. Jonas Northrop, Hopedale, Mass., assignor to Draper Co., Hopedale, Mass.
 LOOM. FILLING, REPLENISHING. 741,717. Alonzo E. Rhoades, Hopedale, Mass., assignor to Draper Co., Hopedale, Mass.
 LOOM LET-OFF MECHANISM. 741,661. William Haynes, Atlanta, Ga., assignor to Draper Co., Hopedale, Mass.
 LOOM LET-OFF MOTION. 741,602. Heinrich Widmer, Union Hill, N. J.
 LOOM NEEDLE MOTION. Pile Fabric. 740,-903. Anthony J. O'Reilly, Worcester, Mass., assignor to Crompton & Knowles Loom Works, Worcester, Mass.
 LOOM PATTERN CHAIN. 741,230. Joseph T. Cyr, Worcester, Mass., assignor to Crompton & Knowles Loom Works, Worcester, Mass.
 LOOM PICKER STICK MOTION. 741,170. Orren A. Sawyer, Lowell, Mass., assignor to Draper Co., Hopedale, Mass.
 LOOM. POWER. 12,159. (Reissue). Samuel F. Patterson, Baltimore, Md.
 LOOM HEDDLE FRAME. 729,447. Rudolph G. Wirtalla, New York, N. Y.

This invention relates to improvements in loom heddle-frames of that class wherein a series of heddles are strung on heddle-bars, the latter being stayed in place by hooks attached to the end portions of the frame. Heretofore considerable difficulty has been experienced by operators in adjusting the heddles within the frame and in applying or removing the heddles. This is due, primarily, to the attachment of the stay-hooks to the frame in a substantially permanent way, and this makes it necessary for the operator to forcibly lift the heddle-bars over the hooks, which practice is objectionable for two reasons: First, the heddles are strained or stretched lengthwise to such an extent that they are frequently broken or made useless, and, secondly, the application of force by the hands hurts them to such an extent that operators object to changing the heddles.



Spinning Machine. Guide Board for. 735,130.
Henry R. Mitchell, New York, N. Y.

This invention relates to supports for thread-guides connected detachably or fixedly with said support and adjustable to carry the eye to and from different positions. It consists in forming the supports of wire bent to form sockets for the reception of pintles and with the ends extended to form stops



when required, as illustrated in the accompanying drawings, in which—

Figure 1 is a plan view of the improved support, showing the same applied to the frame and supporting a detachable guide. Fig. 2 is a perspective

view of the same; Fig. 3, a detached perspective view of one of the pintles.

SPINNING APPARATUS. RING. 741,777.

George O. Draper, Hopedale, Mass., assignor to Draper Co., Hopedale, Mass.

SPINNING APPARATUS. YARN. 741,101.

John Booth, Central Falls, R. I.

SPINNING FRAME GUIDE EYE. 740,611.

William O. O. Aldrich, Whitinsville, Mass., assignor to the Whitin Machine Works, Inc., Whitinsville, Mass.

SPINNING MACHINE. 739,983.

Malcolm Campbell, Boston, Mass.

SPINNING SPINDLE. 741,638.

John C. Edwards, Brookline, Mass., assignor to Draper Co., Hopedale, Mass.

SPOOLING MACHINE THREAD GUIDE. 741,666.

Lewis T. Houghton, Worcester, Mass.

TWISTING MACHINE STOP MOTION. 740,638.

George I. Fiske, Providence, R. I., assignor to Howard and Bullough Machine Co., Ltd., Pawtucket, R. I.

WARP STOP MOTION. 740,672.

Arthur P. S. Macquisten, Glasgow, Scotland.

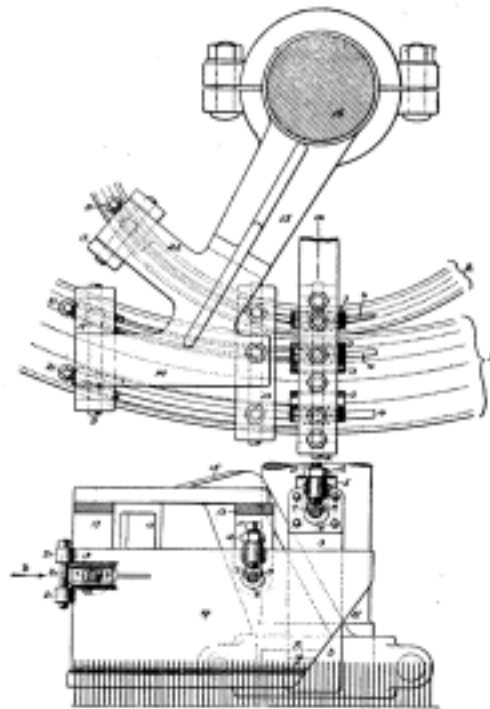
YARNS with VOLATILE LIQUIDS. Treating. 740,778.

John E. Prestwich, Farnworth, England.

Wool Combing Machine. 735,980.

Thomas A. Jackson and Walter E. Thompson, Philadelphia, Pa.

The object of this invention is to provide a durable and effective substitute for the usual dabbing-



brushes whereby the web of wool is pressed down into the spaces between the pins of the large and small "circles" of a wool-combing machine.