

Illustrations from
HISTORY
OF THE
WORSTED MANUFACTURE
IN ENGLAND,

FROM THE EARLIEST TIMES:

WITH

INTRODUCTORY NOTICES OF THE MANUFACTURE
AMONG THE ANCIENT NATIONS, AND
DURING THE MIDDLE AGES.

BY

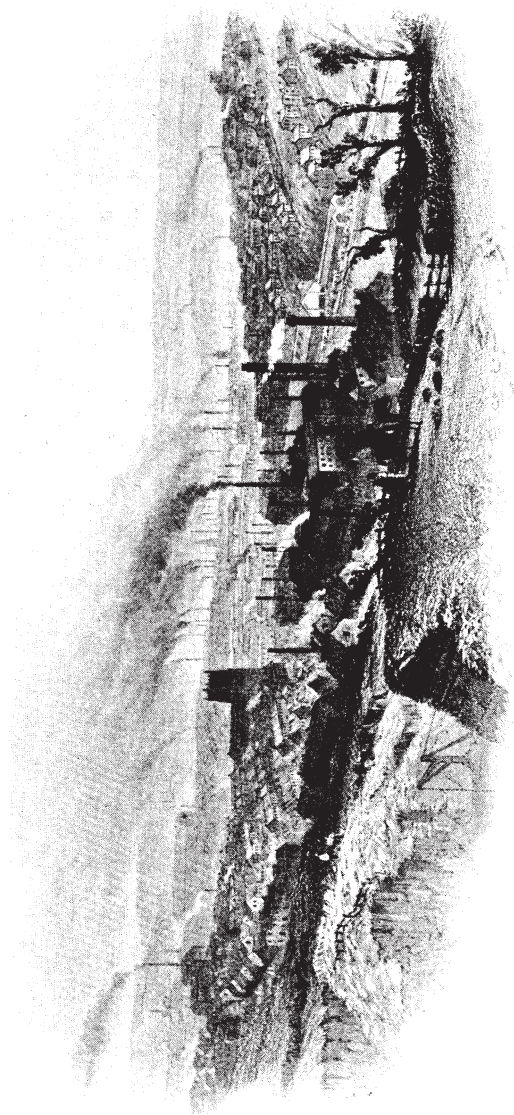
JOHN JAMES, F.S.A.,

AUTHOR OF THE HISTORY OF BRADFORD, ETC.

LONDON:

LONGMAN, BROWN, GREEN, LONGMANS, AND ROBERTS;
AND
CHARLES STANFIELD, BRADFORD.

—
MDCCLVII.



BRADFORD.

From the North.

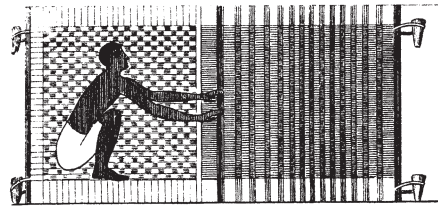


Fig. 3.

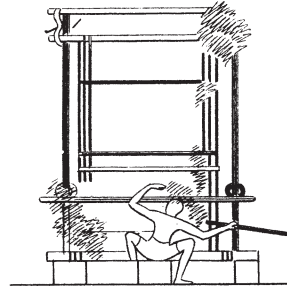


Fig. 4.



Fig. 2.

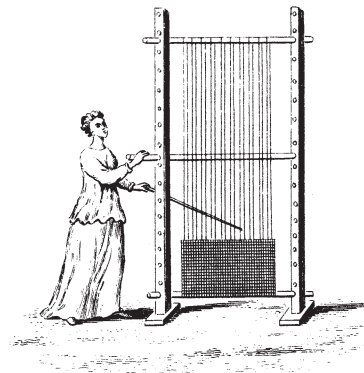


Fig. 5.



Fig. 6.

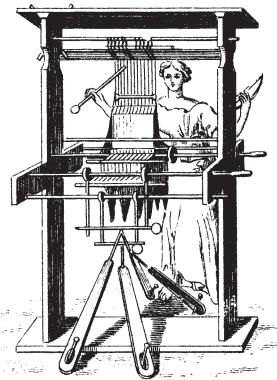


Fig. 7.

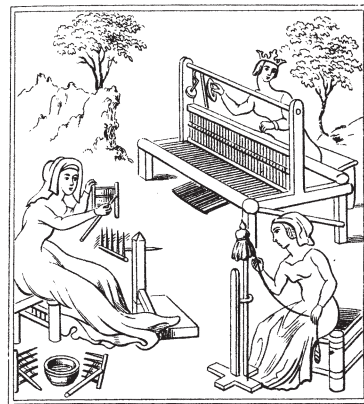


Fig. 8.

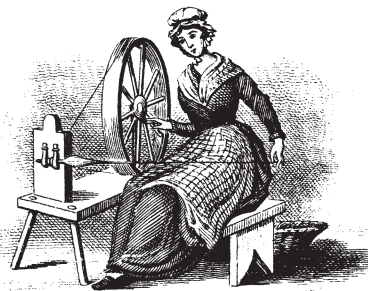
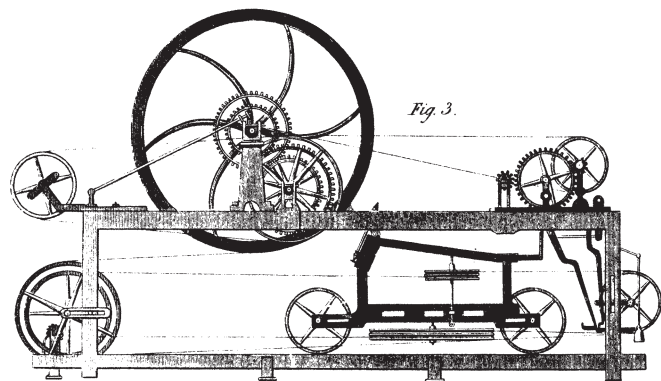
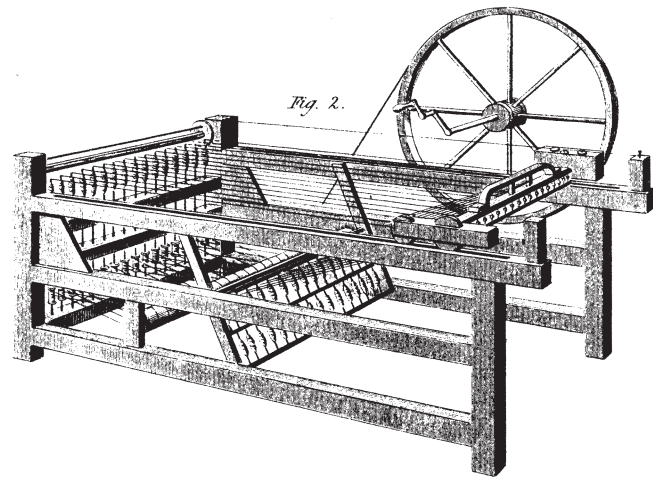
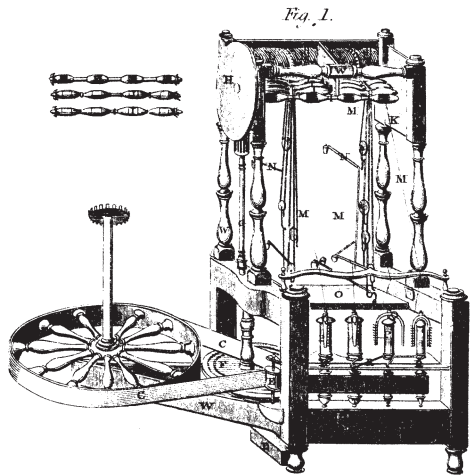
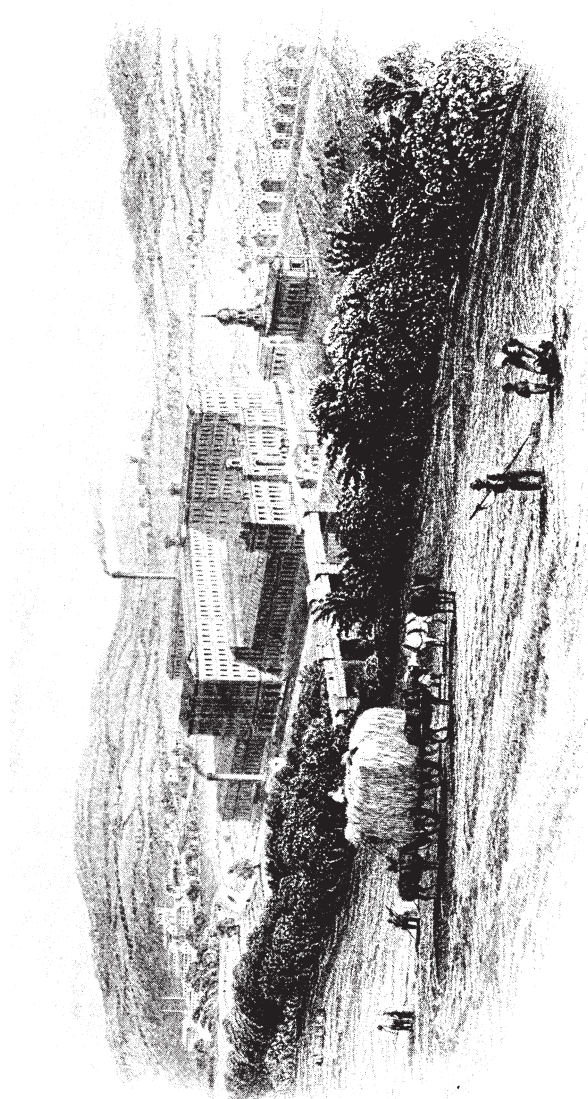


Fig. 9.

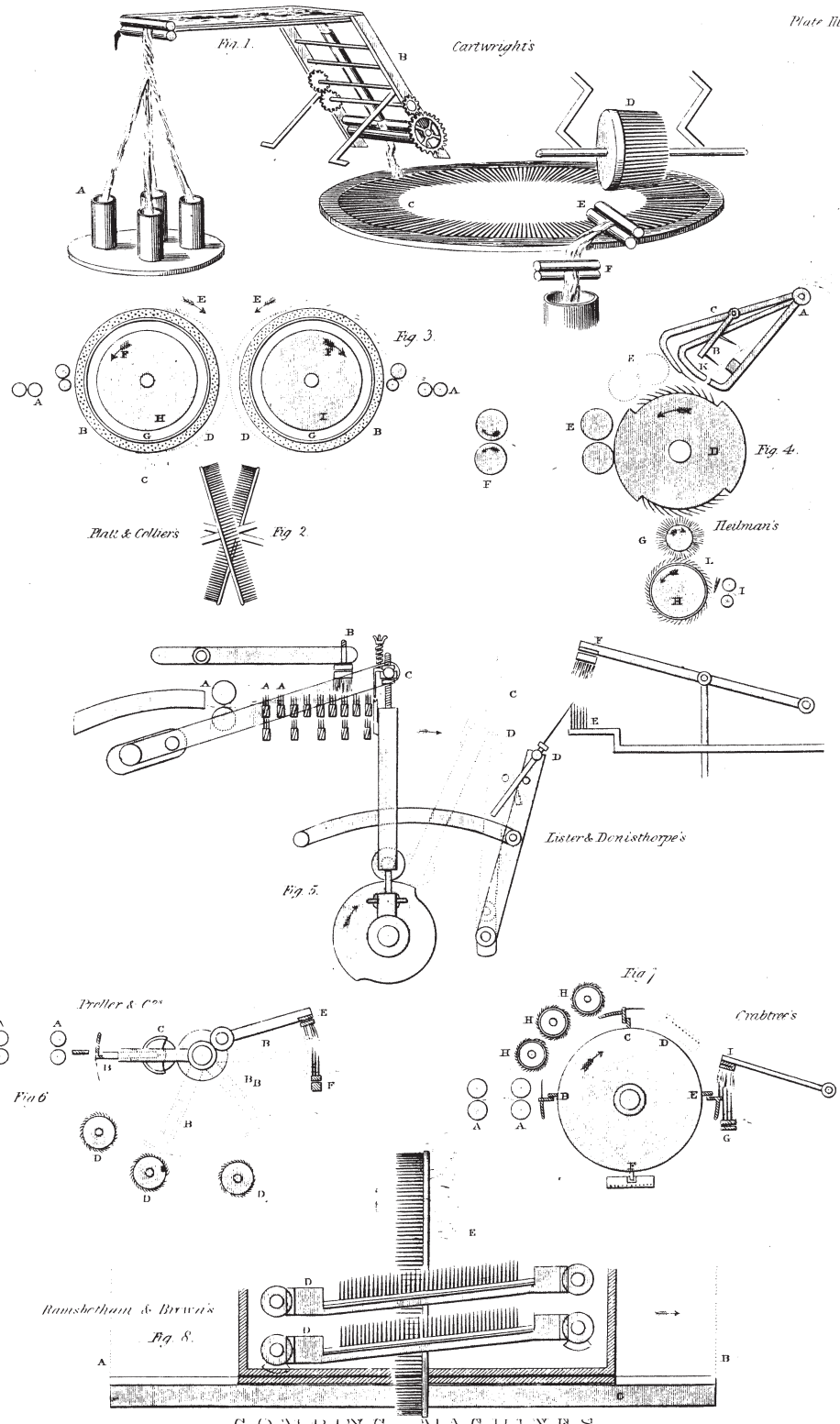
ANCIENT SPINNING & WEAVING.



ARKWRIGHT, HARGREAVES AND CROMPTON'S SPINNING MACHINES.



Falmouth



COMBING MACHINES.

DRAWING.

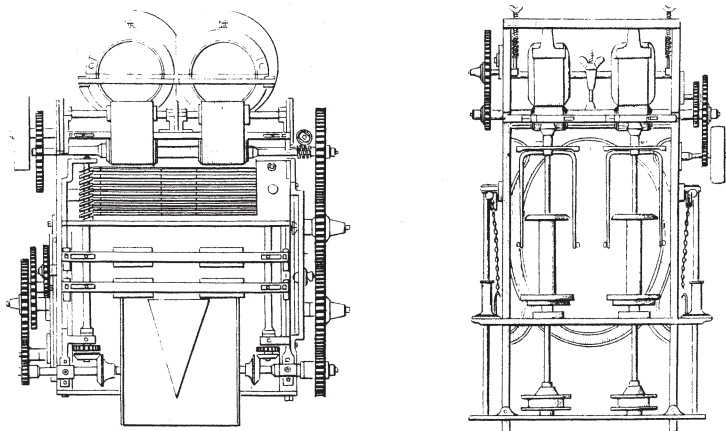
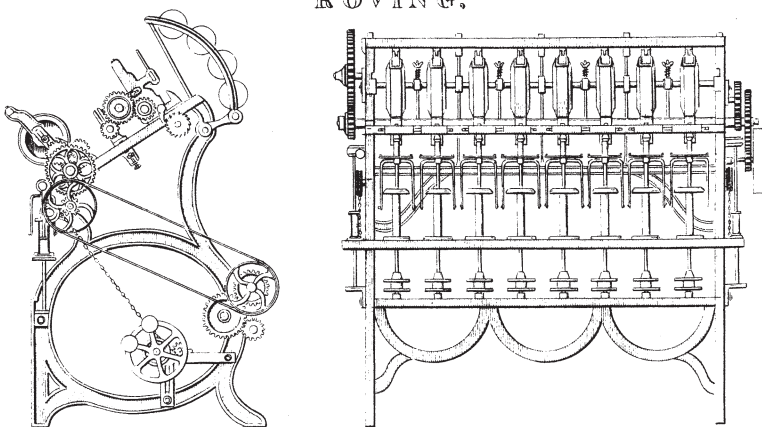
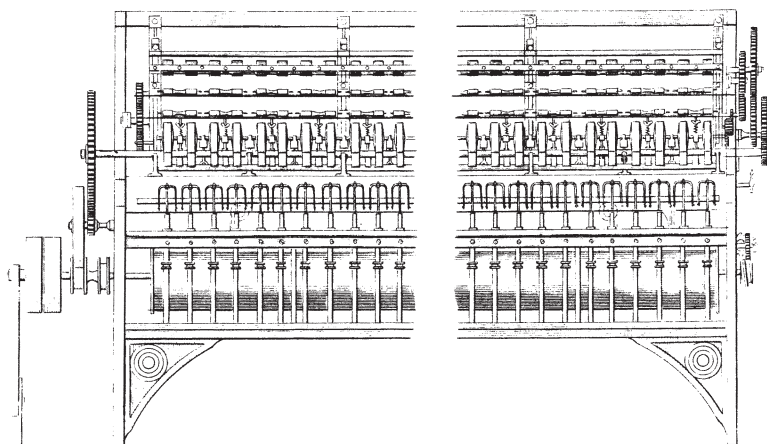


Plate IV

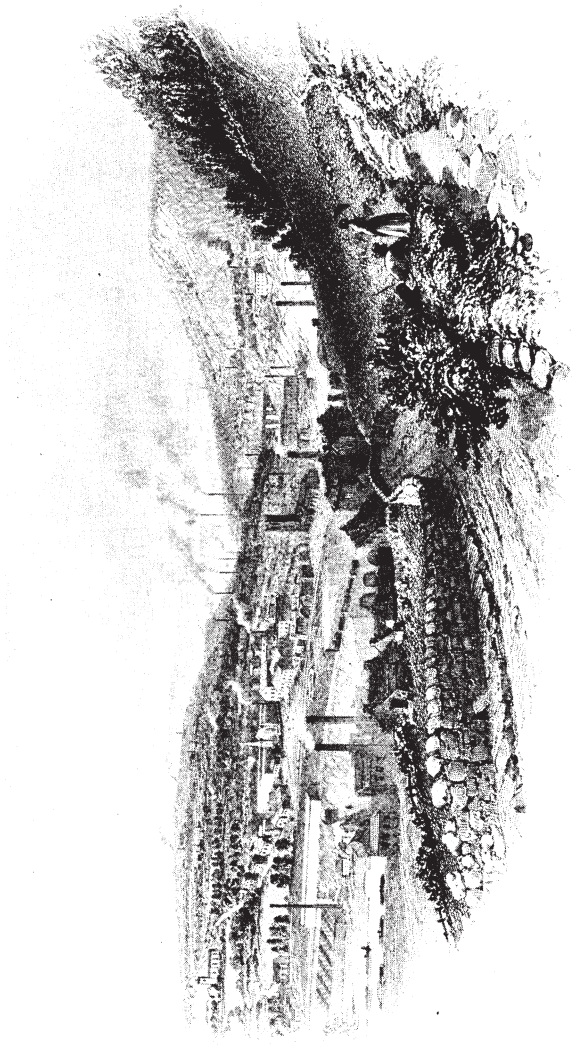
ROVING.



SPINNING.

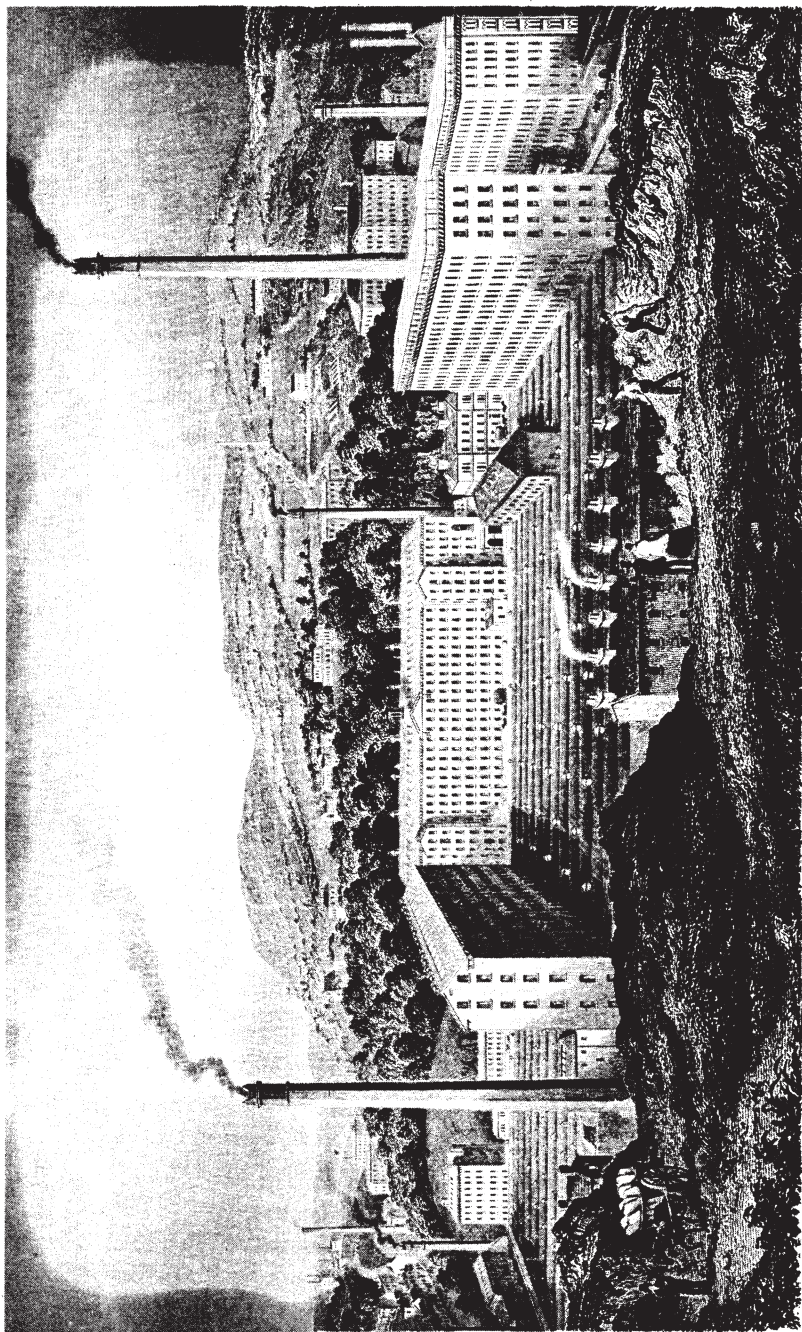


DRAWING, ROVING & SPINNING FRAMES.



HALIFAX DOCK.

[Halifax]



DEAN CLOUGH MILLS, HALIFAX.

[Dean Clough Mill, Halifax]