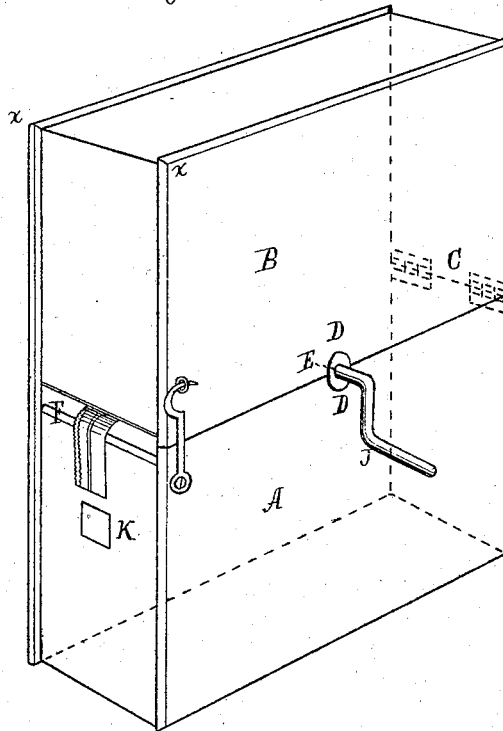


**M. DEITZLER.**  
**Cases for Laces, Ribbons, &c.**

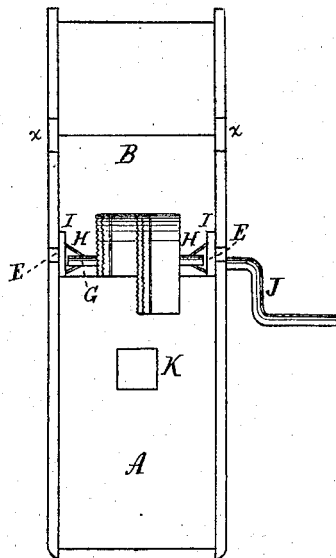
No. 137,297

Patented April 1, 1873.

*Fig. 1.*



*Fig. 2.*



*Witnesses:*  
*Jacob E. Schiedt.*  
*Wm R. Wright.*

*Martin Deitzler,*  
*by his Atty,*  
*Horace Binney, 3rd.*

# UNITED STATES PATENT OFFICE.

MARTIN DEITZLER, OF ASHLAND, PENNSYLVANIA, ASSIGNOR OF ONE-HALF HIS RIGHT TO HAMILTON ADAMS, OF SAME PLACE.

## IMPROVEMENT IN CASES FOR LACES, RIBBONS, &c.

Specification forming part of Letters Patent No. 137,297, dated April 1, 1873; application filed February 12, 1873.

*To all whom it may concern:*

Be it known that I, MARTIN DEITZLER, of Ashland, in the county of Schuylkill and State of Pennsylvania, have invented a new and useful Improved Case for Laces, Ribbons, and similar articles; and I do hereby declare the following to be a full, clear, and exact description thereof, which will enable others skilled in the art and business to which it appertains to make and use the said invention, reference being had to the accompanying drawing, which forms a part of this specification, and in which—

Figure 1 is a perspective view of the said case when closed; and Fig. 2 an end view of the same when open.

The same parts are denoted by the same letters in both figures.

The object of this invention is to keep an "original package" of lace or ribbon—*i. e.*, a quantity thereof wound on a strip of pasteboard as delivered from the factory—always protected from dust and separate from other goods, and at the same time to permit the lace or ribbon to be readily unwound from the package and wound up again; and to this end the said invention consists in a case constructed in the following manner and provided with clamps and spools, as hereinafter described.

A in the drawing represents the lower, and B the upper, part of the case, hinged together as shown in dotted lines at C. Contiguous semicircular recesses D D are made on both sides of A and B so as to form, when the case is closed, circular holes fitting the journals of spools or pivots E E. There is also an opening, F, at the front end of the case, through which the lace or ribbon is drawn out. G is

the pasteboard strip, on which the lace or ribbon is wound. H H are spring-clamps, to each of which is attached a spool or pivot, E, provided with a collar, I.

When a package is to be put into the case the sides of the pasteboard G are inserted into the clamps H H, and, the case being open, the journals are laid in the recesses D D in A. The end of the lace or ribbon is drawn through the opening F and the case is then closed. The collars I I prevent lateral movement of the package, which revolves easily as the lace is drawn out. A key, J, is inserted into a recess in the end of one of the journals, by which the package is revolved in the reverse direction to wind the lace up again.

A recess, K, may be made in the front end of the case to receive the marking-card. As often as a package has been exhausted and is replaced by a new one a new marking-card may be pasted in the recess over the old one, and a great number of marking-cards may thus be inserted without projecting beyond the surface of the case; and when they are even with said surface they may all be removed at once.

What I claim as my invention, and desire to secure by Letters Patent of the United States, is—

The hinged case A B provided with spools E, on which are collars I and spring-clamps H to hold the strip G, and constructed with a recess, K, to receive a number of marking-cards, all substantially as shown and described.

MARTIN DEITZLER.

Witnesses:

DANIEL CHRISTIAN,  
A. E. WALTER.