

A. MATITSCH.
LACE MAKING MACHINE.

No. 586,136.

Patented July 13, 1897.

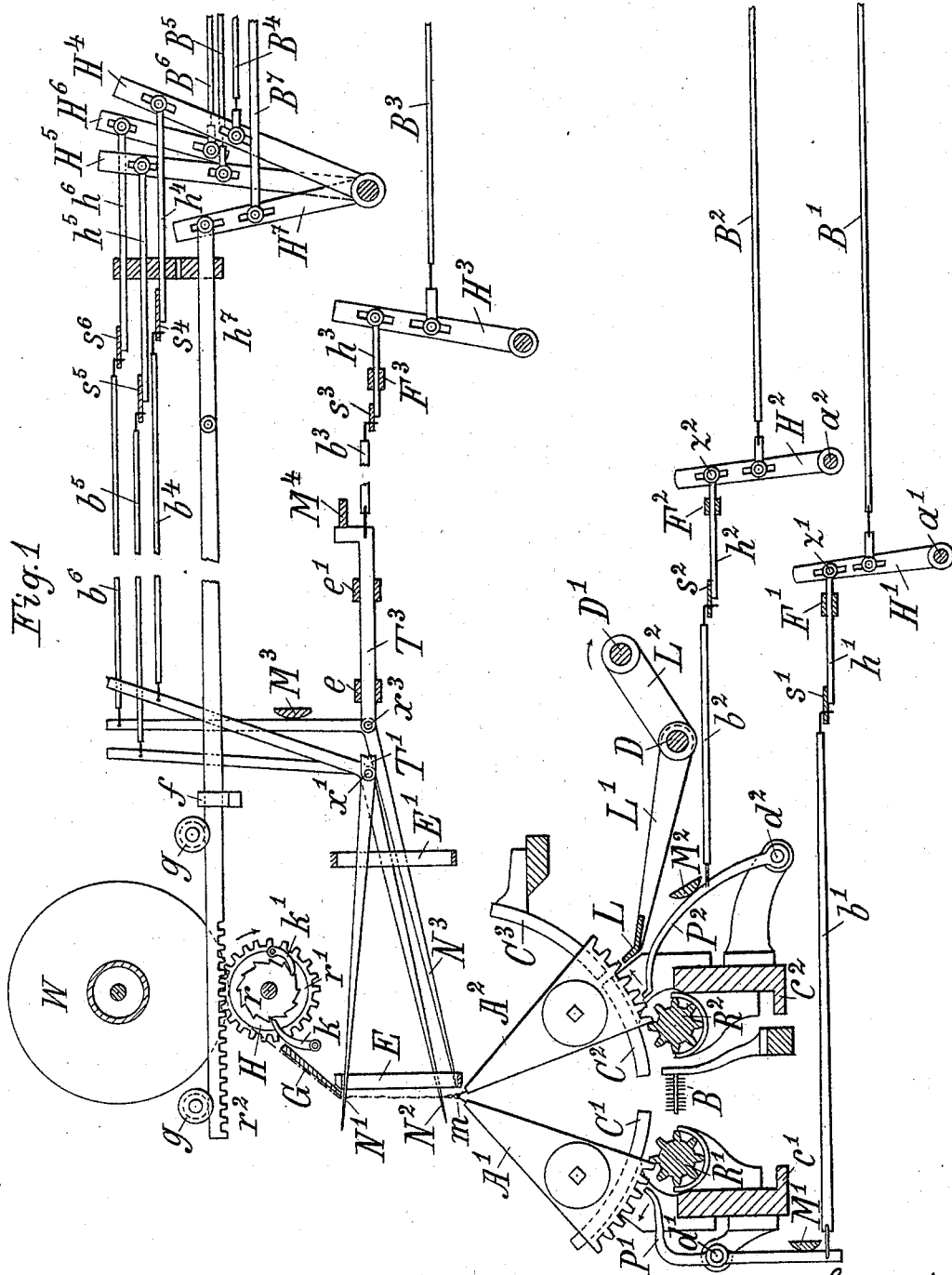


Fig. 1

Witnesses.
B. S. Ober
B. Sommers

Invented
August Matitsch
By *[Signature]*
Attorney

(No Model.)

2 Sheets—Sheet 2.

A. MATITSCH.
LACE MAKING MACHINE.

No. 586,136.

Patented July 13, 1897.

Fig. 3

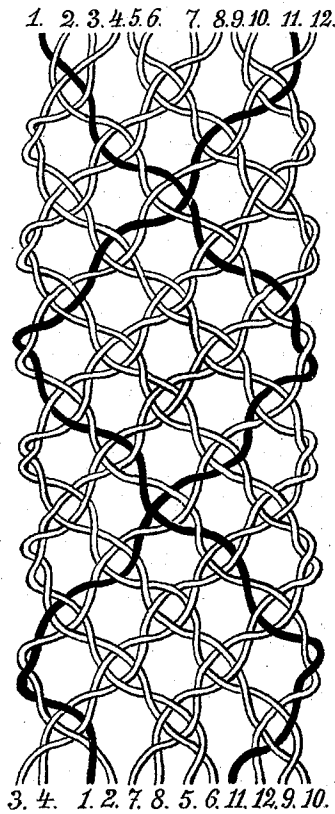


Fig. 2

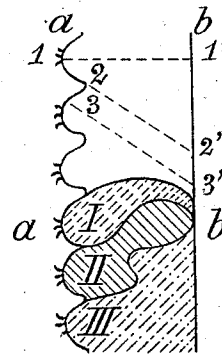
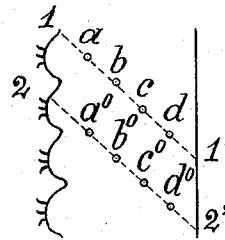


Fig. 4



Witness
E. S. Ober.
W. Sommers

Inventor
August Matitsch
By Henry M. G.
Attorney