

G. H. L. PETTIE.  
LOOM FOR CROSS WEAVING.

APPLICATION FILED MAY 7, 1904.

3 SHEETS—SHEET 1.

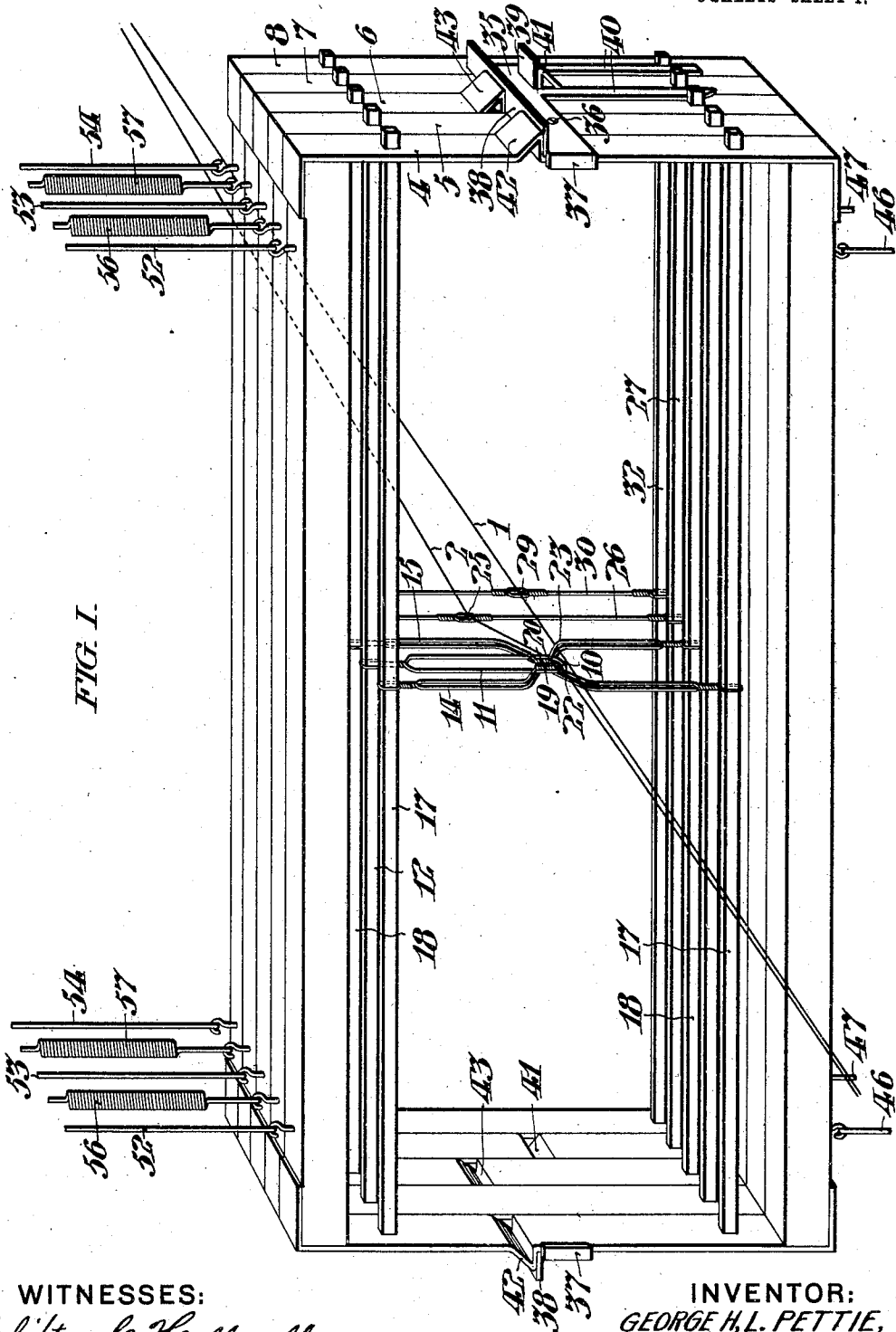


FIG. I.

WITNESSES:

*Clifton C. Hallowell*  
*John C. Dequer*

INVENTOR:

GEORGE H. L. PETTIE,  
*by Paige, Paul & Foley*  
*Atty.*

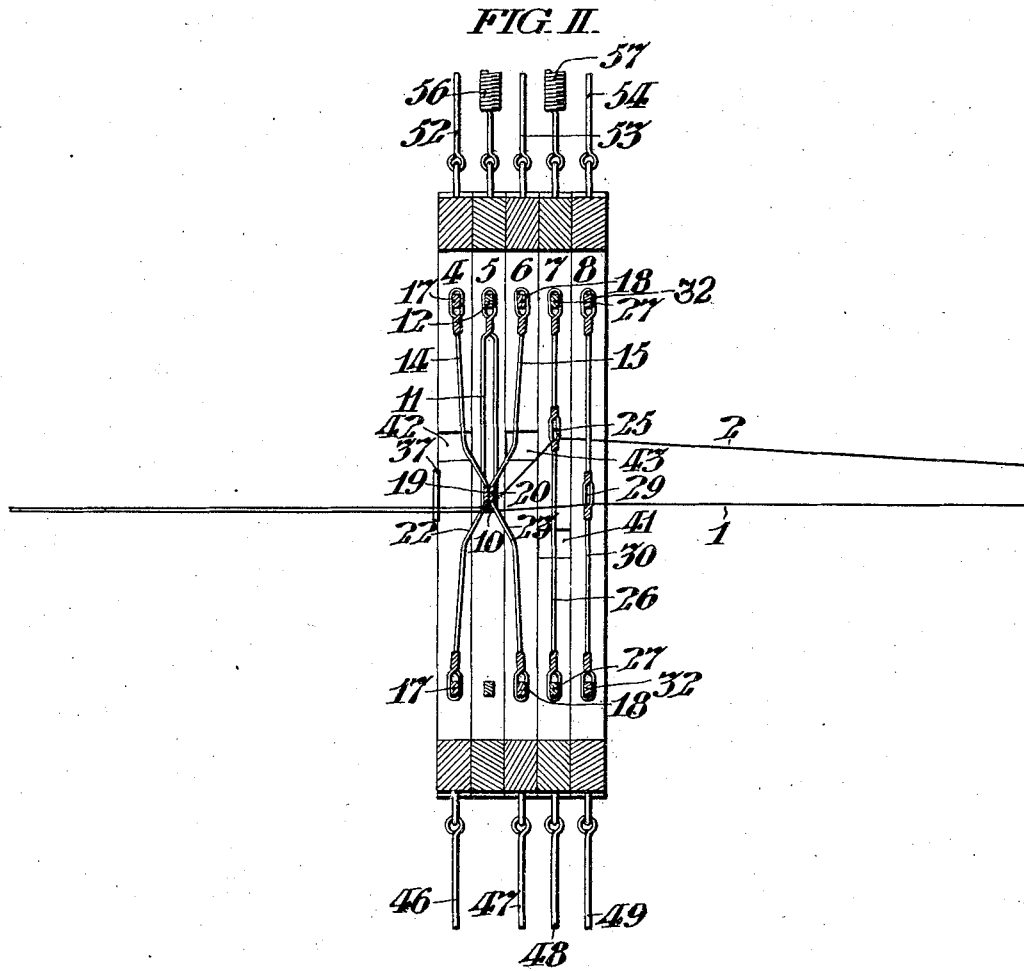
No. 788,328.

PATENTED APR. 25, 1905.

G. H. L. PETTIE.  
LOOM FOR CROSS WEAVING.

APPLICATION FILED MAY 7, 1904.

3 SHEETS—SHEET 2.



WITNESSES:

*Clifton C. Halliwell*  
*John C. Bergner.*

INVENTOR:

*GEORGE H. L. PETTIE,*  
*By Raige, Paul & Foley*  
*Atty's.*