

T. T. JACKSON.
LOOM FOR WEAVING.
APPLICATION FILED DEC. 24, 1917.

1,316,159.

Patented Sept. 16, 1919.
2 SHEETS—SHEET 1.

Fig: 1.

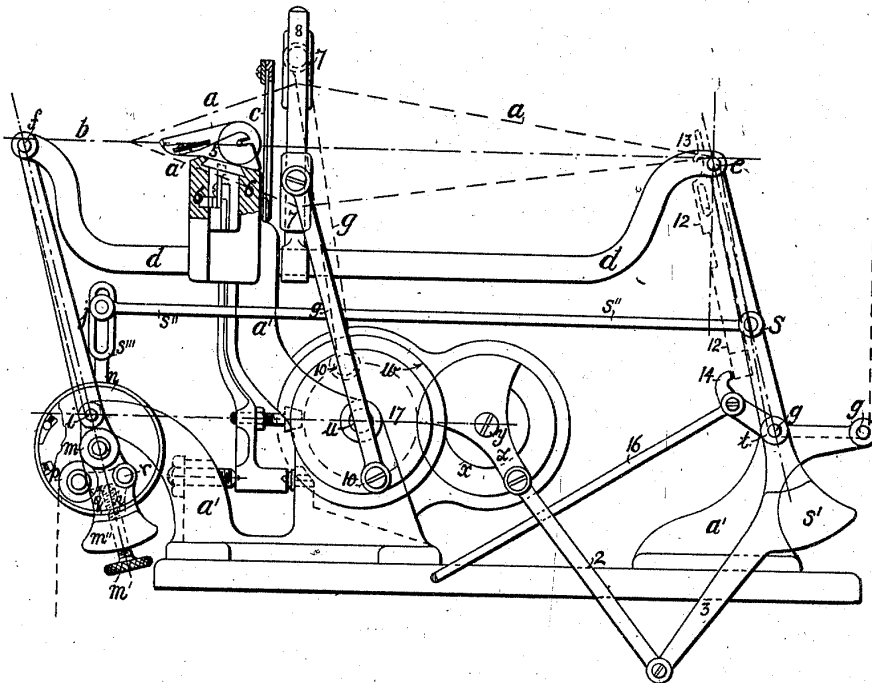
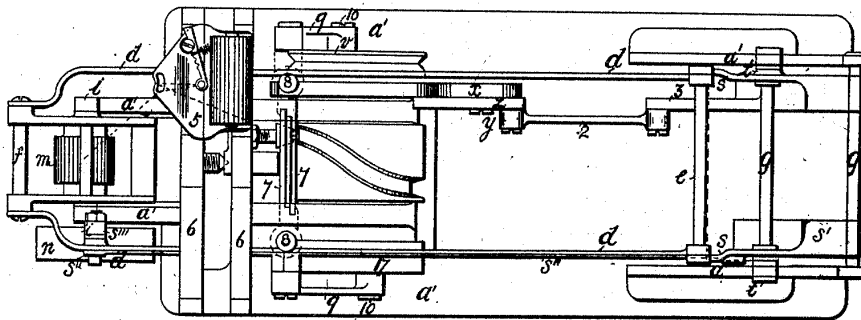


Fig: 2.



Inventor
Thomas Wright Jackson
by Charles H. May
Assistant Attorney

T. T. JACKSON.
 LOOM FOR WEAVING.
 APPLICATION FILED DEC. 24, 1917.

1,316,159.

Patented Sept. 16, 1919.
 2 SHEETS—SHEET 2.

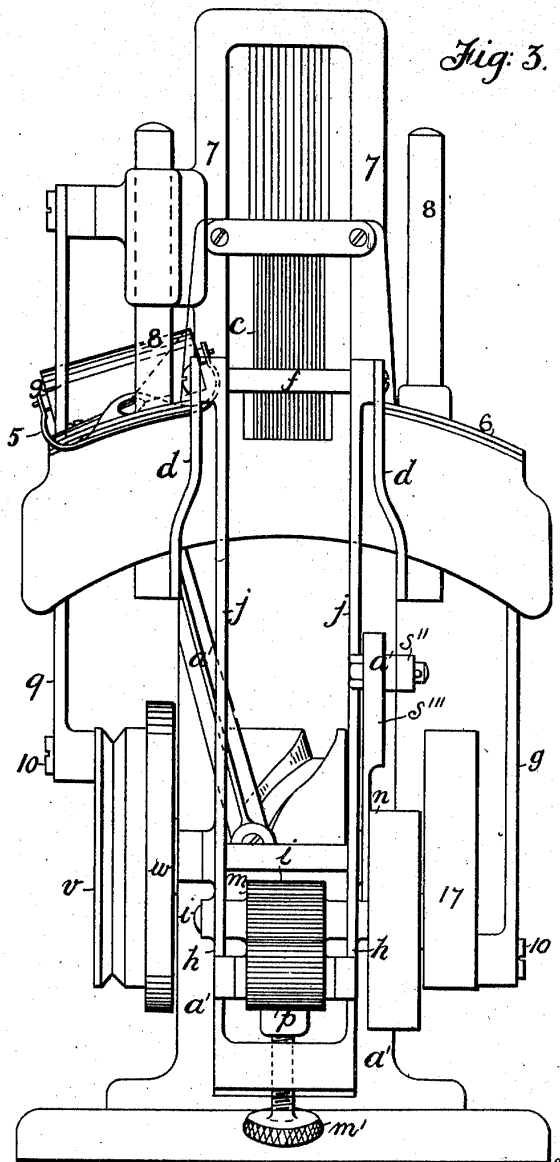


Fig. 3.

Inventor
Thomas T. Jackson
by Maxwell B. May
Associate Attorney