

Triaxial Weaving Templates

This document contains triaxial weaving templates that can be used to design colored triaxial weave patterns.

Figure 1 shows a reduced example of a $14 \times 14 \times 14$ template:

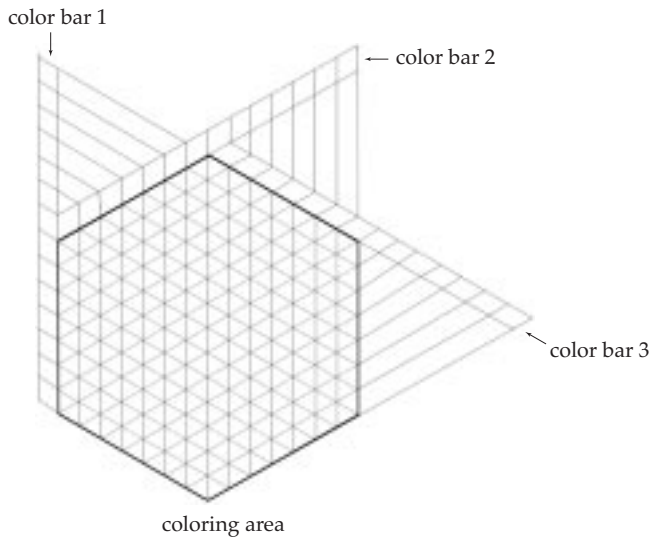


Figure 1. A $14 \times 14 \times 14$ Template

The colors to be used are assigned to the cells in the three color bars. A cell in the coloring area can be colored with any of the three colors on its intersecting color bar cells.

Figure 2 shows an example of colored triaxial weaving pattern done in this fashion.

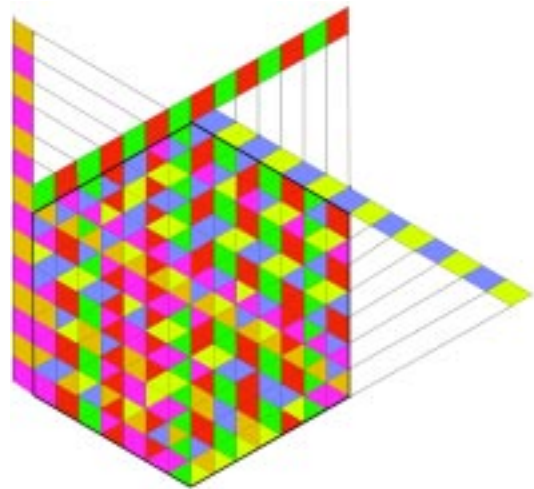
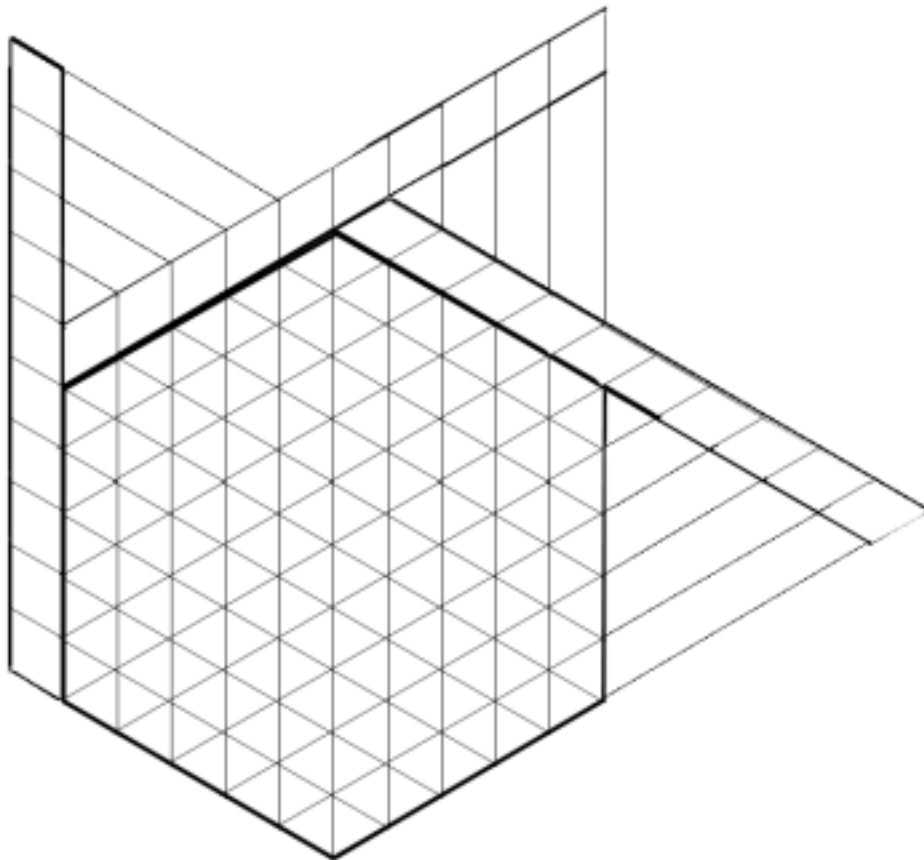


Figure 2. A $14 \times 14 \times 14$ Triaxial Pattern

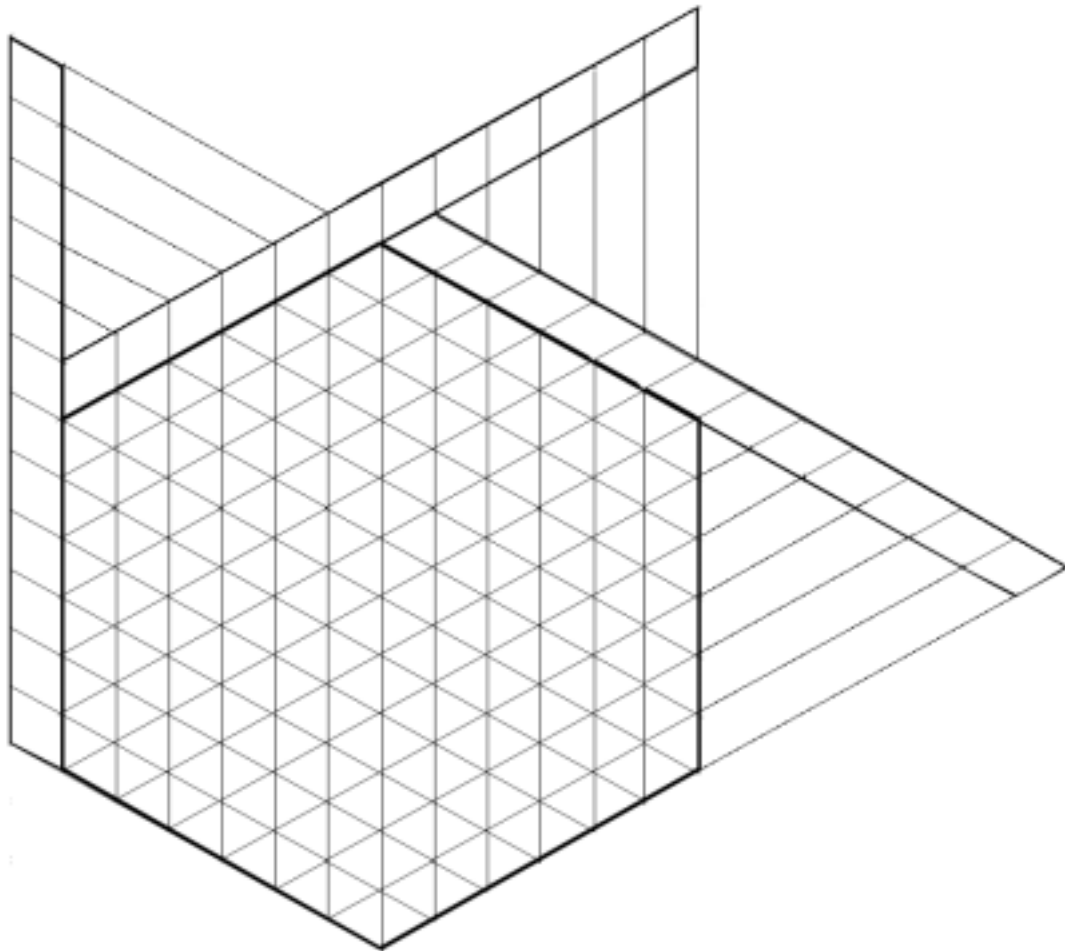
The following pages contain triaxial weaving templates for several sizes, as well as several kinds of triaxial grid paper.

Ralph E. Griswold
Department of Computer Science
The University of Arizona
Tucson, Arizona

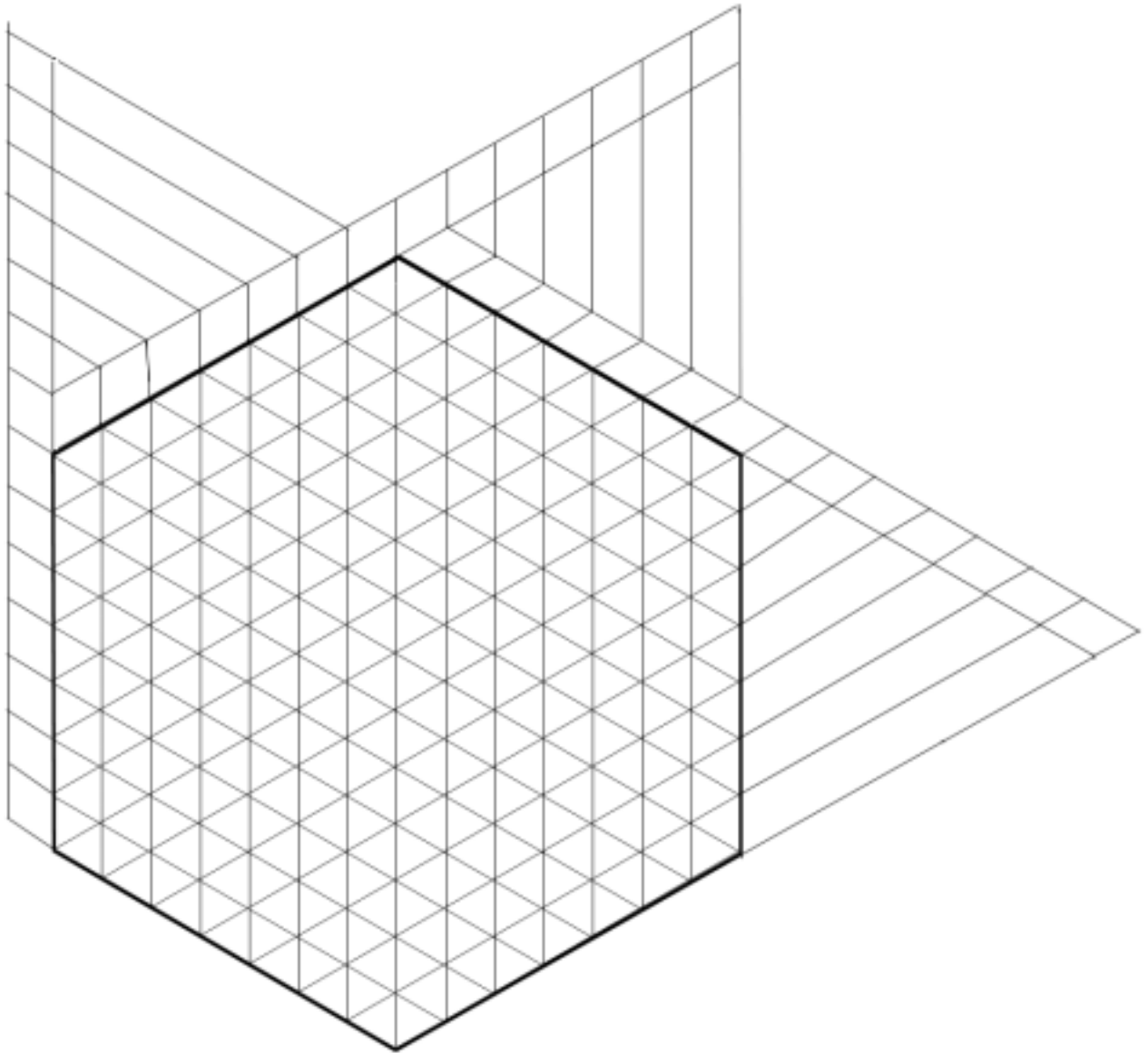
© 2001, 2002, 2004 Ralph E. Griswold



10 × 10 × 10 Template



12 × 12 × 12 Template



14 × 14 × 14 Template

